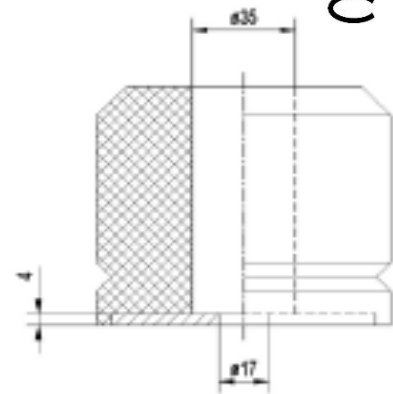
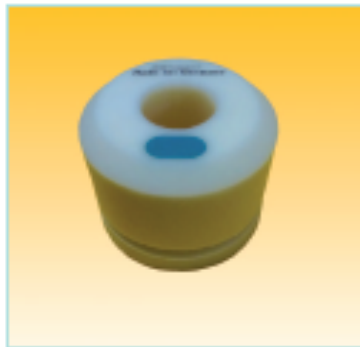




Lift buffers to EN81-1/2 (lift directive 2014/33/EU)

- ▶ EN 2 and 3 additionally certified to GOST R 53781-2010 (Russian Federation)



Cell-PU buffers for nominal speed up to $v = 1,0$ m/s

| min./max. load ranges [kg] at nominal speed | | | | | | |
|---|---------|----------------|--------------|--------------|--------------|--------------|
| Type | Art.no. | Dimension [mm] | 0,5 m/s | 0,63 m/s | 0,8 m/s | 1,0 m/s |
| EN 2 | 320 202 | Ø 100 x 80 | 190 3.240 | 190 3.240 | 190 3.240 | 190 3.240 |
| EN 3 | 320 203 | Ø 125 x 80 | 240 6.510 | 240 6.510 | 240 6.510 | 240 6.510 |
| EN 4 | 320 204 | Ø 165 x 80 | 290 8.010 | 290 8.010 | 290 8.010 | 290 8.010 |

Cell-PU buffers for nominal speed up to $v = 1,0$ m/s

| min./max. load ranges [kg] at nominal speed | | | | | | |
|---|---------|----------------|--------------|--------------|--------------|--------------|
| Type | Art.no. | Dimension [mm] | 0,5 m/s | 0,63 m/s | 0,8 m/s | 1,0 m/s |
| A 1 | 320 301 | Ø 80 x 80 | 120 1.500 | 120 1.300 | 160 1.200 | 200 1.000 |
| A 3 | 320 303 | Ø 125 x 80 | 190 4.000 | 190 3.500 | 300 2.500 | 350 1.600 |
| A 4 | 320 304 | Ø 165 x 80 | 180 6.500 | 230 5.500 | 350 4.200 | 500 3.500 |
| A 5 | 320 305 | Ø 140 x 110 | 150 6.500 | 200 5.500 | 300 4.500 | 350 3.500 |
| A 6 | 320 306 | Ø 100 x 160 | 120 5.000 | 150 4.500 | 180 4.000 | 230 3.500 |
| A 7 | 320 307 | Ø 130 x 220 | 120 8.000 | 160 8.000 | 230 6.000 | 300 4.500 |

Cell-PU buffers for nominal speed up to $v = 1,25$ m/s

| min./max. load ranges [kg] at nominal speed | | | | | | |
|---|---------|----------------|--------------|--------------|--------------|--------------|
| Type | Art.no. | Dimension [mm] | 0,63 m/s | 0,8 m/s | 1,0 m/s | 1,25 m/s |
| EN 5 | 320 205 | Ø 125 x 150 | 600 1.707 | 600 1.707 | 600 1.707 | 600 1.707 |
| EN 7 | 320 207 | Ø 125 x 200 | 400 1.050 | 400 1.050 | 400 1.050 | 400 1.050 |

Cell-PU buffers for nominal speed up to $v = 1,6$ m/s

| min./max. load ranges [kg] at nominal speed | | | | | | |
|---|---------|----------------|--------------|--------------|--------------|--------------|
| Type | Art.no. | Dimension [mm] | 1,0 m/s | 1,25 m/s | 1,4 m/s | 1,6 m/s |
| EN 6*) | 320 206 | Ø 180 x 340 | 630 1.700 | 630 1.700 | 630 1.700 | 630 1.700 |

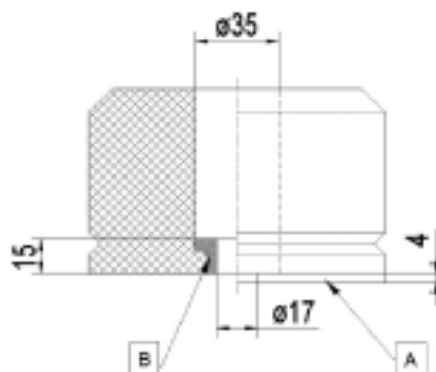
• All buffer types can also be used for TRA

• Static curves (available) on request

• Diameter at max. damper compression < 1,4 x D; This applies particularly when more buffers are put next to each other.

*) square base plate; at max. load, deflection approx. 60%. - Certificate on request

Lift buffers to EN81-1/2 (lift directive 2014/33/EU)



| min./max. load ranges [kg] at nominal speed | | | | | | |
|---|-----------------|------------------|----------------|--------------|----------------|----------------|
| Type | Mounting type | | Dimension [mm] | 0,4 m/s | 0,63 m/s | 1,0 m/s |
| | (A) Steel plate | (B) Plastic bush | | | | |
| T 1 | 320 001 | 321 001 | ∅ 80 x 80 | 153 1.450 | 153 1.300 | 233 503 |
| T 2 | 320 002 | 321 002 | ∅ 100 x 80 | 153 1.886 | 153 1.137 | 290 800 |
| T 3 | 320 003 | 321 003 | ∅ 125 x 80 | 228 2.650 | 228 1.500 | 253 1.000 |
| T 4 | 320 004 | 321 004 | ∅ 165 x 80 | 310 6.170 | 379 3.000 | 568 2.450 |
| T 5 | 320 005 | 321 005 | ∅ 220 x 80 | 465 9.200 | 1.000 7.100 | 1.344 6.000 |
| E 2 | 320 007 | 321 011 | ∅ 125 x 100 | 153 1.661 | 263 1.504 | 263 1.486 |
| E 5 | 320 013 | 321 013 | ∅ 140 x 100 | 203 2.744 | 203 2.120 | 203 1.980 |
| E 1 / T 6 | 320 006 | 321 006 | ∅ 100 x 160 | 103 1.344 | 128 1.030 | 128 927 |
| E 3 / T 8 | 320 008 | 321 007 | ∅ 125 x 160 | 128 1.504 | 263 1.344 | 263 1.106 |
| E 13 | 320 021 | 321 021 | ∅ 140 x 160 | 203 3.117 | 303 2.120 | 303 2.046 |
| E 7 / T 9 | 320 009 | 321 008 | ∅ 165 x 160 | 278 3.434 | 395 3.117 | 465 3.035 |
| E 9 / T 10 | 320 010 | 321 009 | ∅ 220 x 160 | 465 7.567 | 568 7.043 | 1.344 6.500 |
| E 4 / T 7 | 320 015 | 321 012 | ∅ 125 x 200 | 103 1.661 | 153 1.504 | 253 1.442 |
| E 6 | 320 014 | 321 014 | ∅ 140 x 200 | 203 2.451 | 278 2.120 | 278 1.966 |
| E 11 | 320 012 | 321 015 | ∅ 140 x 250 | 228 2.744 | 228 2.744 | 228 2.502 |
| E 8 | 320 016 | 321 016 | ∅ 165 x 220 | 203 4.079 | 303 4.079 | 777 3.919 |
| E 10 | 320 011 | 321 017 | ∅ 220x 220 | 465 8.132 | 727 8.000 | 1.604 8.000 |

| Type | Mounting type | | Dimension [mm] | 1,0 m/s | 1,25 m/s | 1,4 m/s |
|---------|-----------------|--|----------------|--------------|--------------|--------------|
| | (A) Steel plate | | | | | |
| E 6 HS | 320 014HS | | ∅ 140 x 200 | 310 1.344 | 310 930 | |
| E 10 HS | 320 011HS | | ∅ 220 x 220 | 672 2.907 | 800 2.010 | 955 1.344 |

- All buffer types can also be used for TRA
- Static curves on request
- Diameter at max. damper compression < 1,4 x D