

www.felesa.com



# $\mu$ GRL

microGRL



...special refurbishments  
...special reduced shafts

..reduced pit  
..reduced headroom  
..minimum shafts  
..maximum cabins



## Specially designed for:

Refurbishments

Reduction not useful volumes

Applicable to the maximum number of facilities

Energetic saving

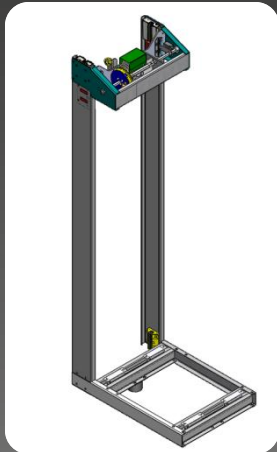
Reduced energy consumption through use of gearless machines.

Utilization steels high resistances

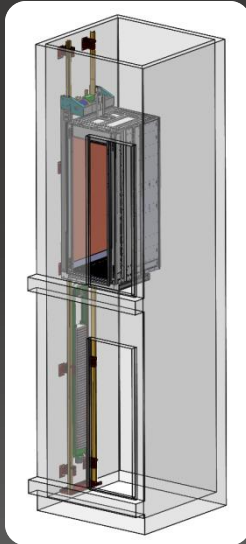
Comfort

Isolation ensures

Reduced noise and vibration



# Special Characteristics



Pit: 300mm

Headroom: 2700mm

Distance Wall-Cabine: 250mm  
(Mechanical width 730mm)

Single phase 220v

3 phase 380v

## Standards

EN81-1:1998

EN81-1:2001/A2

EN81-21:2009

EC examination

EN81-1:1998 items. 9.1.2a 9.2.1



# Range

Load: 180kg-630kg

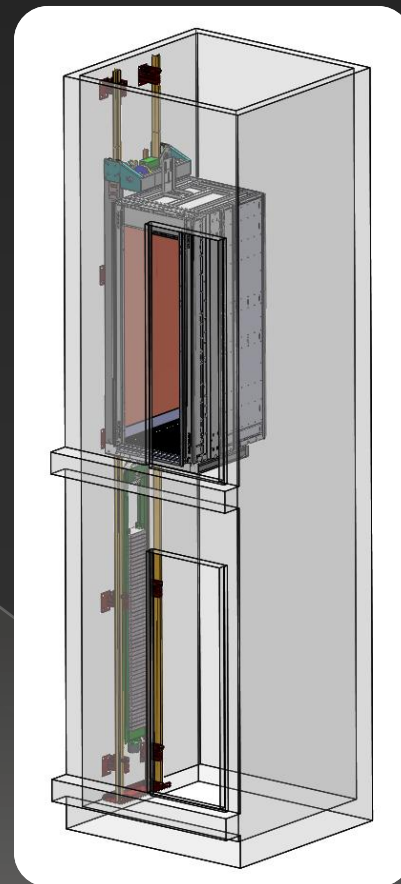
Speed: 1m/s

Acting: 2:1

Gearless machines

With/Without machine room

Ease of installation



# Types

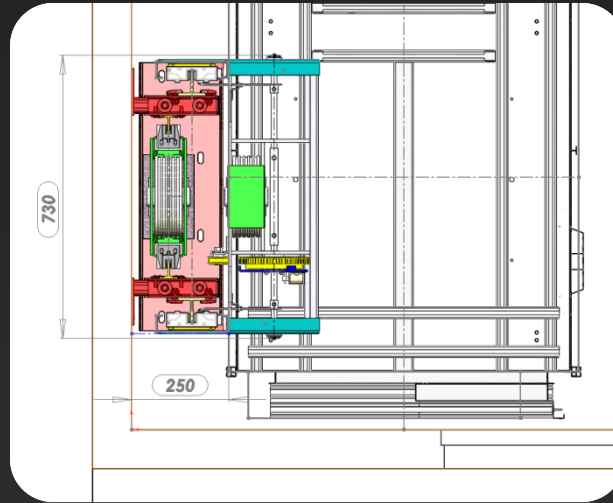
## **μGRL-1**

Pit: 300mm  
Headroom: 3400mm  
Wall-Cabine: 250mm  
Mechanical : 730mm

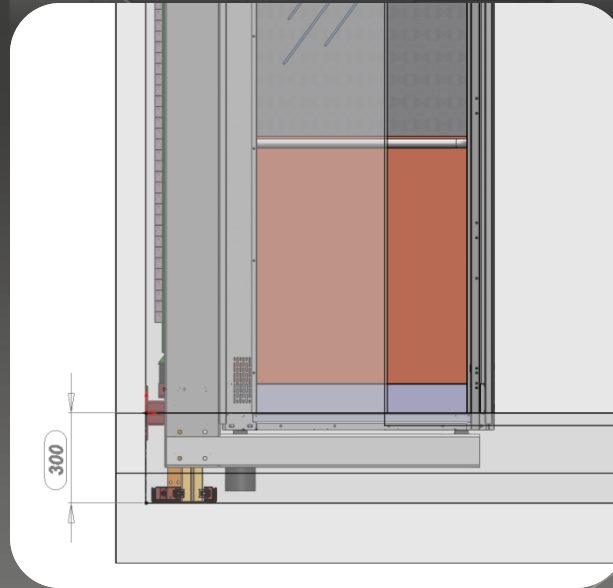
## **μGRL-2**

Pit: 300mm  
Headroom: 2700mm  
Wall-Cabine: 340mm  
Mechanical: 730mm

Layout detail



Pit detail



# Guide Rails

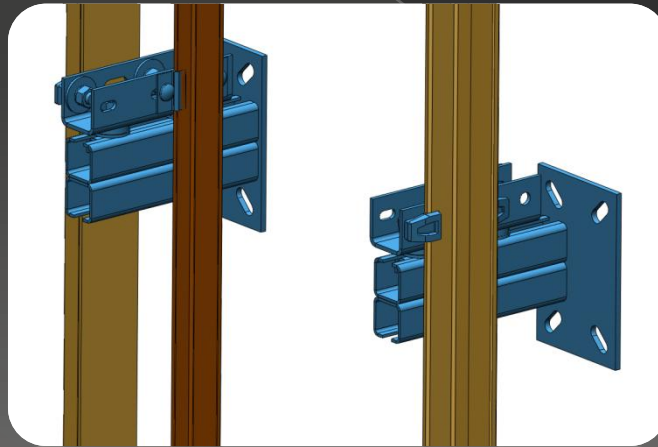
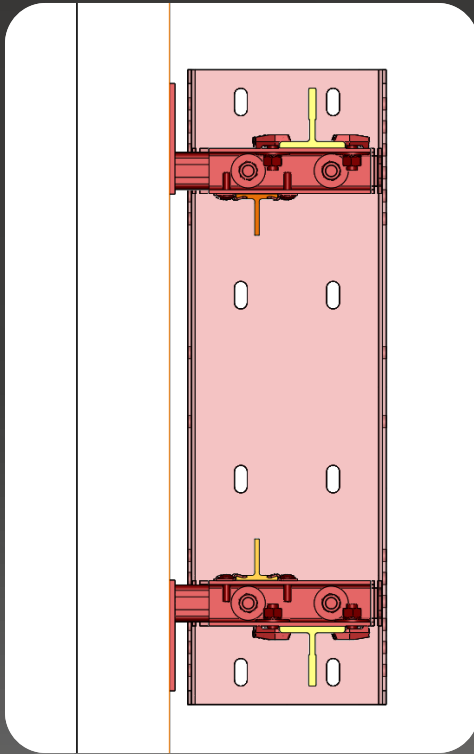
Opposite guide rails

Car guide rails RF70

Cwt guide rails RT45

Regulation continues

Isolated brackets



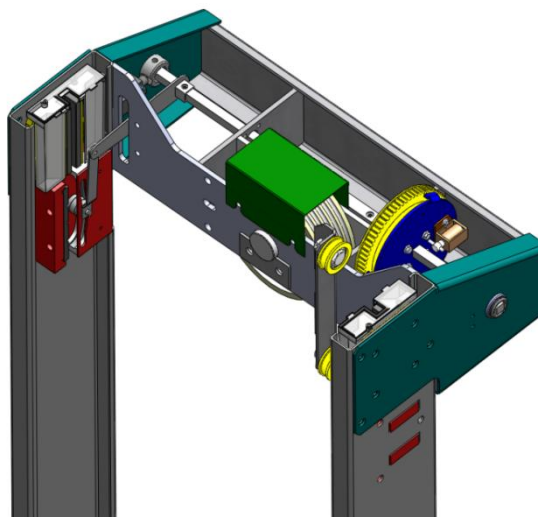
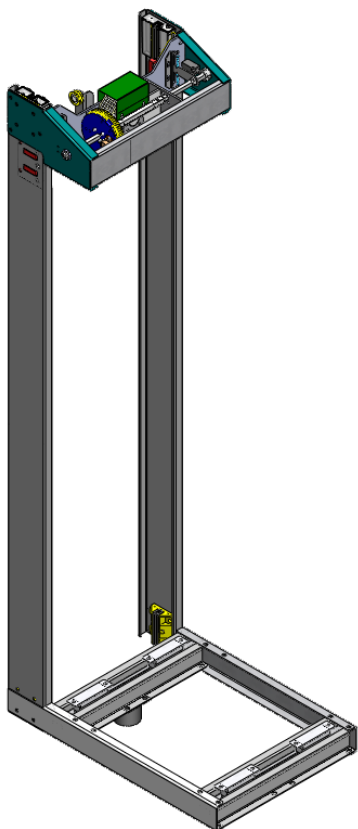
# Car frame

L shape car frame

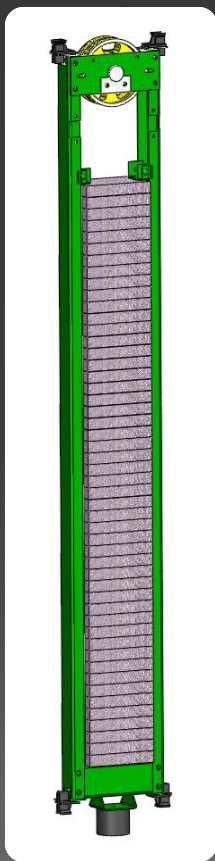
Pulley  $\varnothing 200$

Ropes  $\varnothing 6,5$

Safety gear+overspeed governor  
placed on top frame



# Counterweight

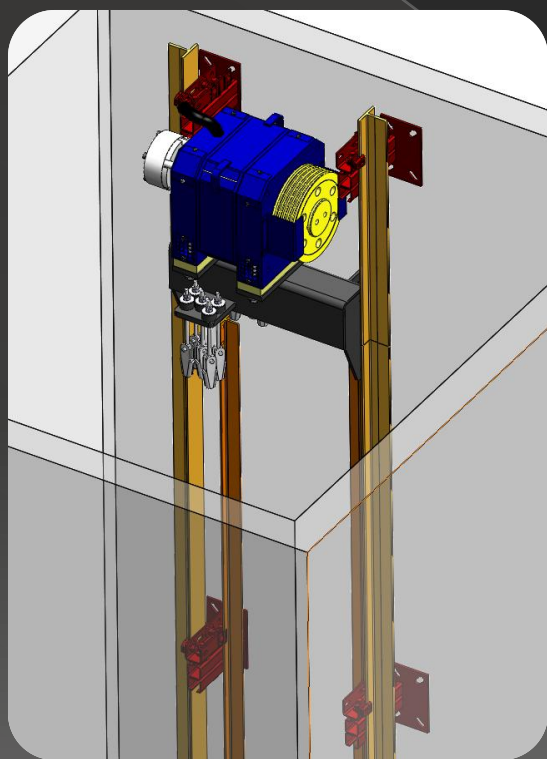


Acting 2:1  
Pulley  $\varnothing 200$  6,5 $\varnothing$   
Center acting  
Steel weights





# Machine+Stand



Reduced weight and dimensions  
(220x400x270mm)

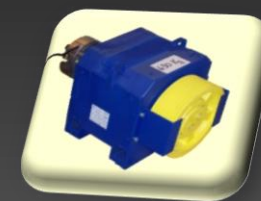
Traction pulley  $\varnothing 200$  5x6,5 $\varnothing$

3 phase or single phase.

Machine placed on guide rails.

Cabine and counterweight anchors  
on machine stand.

Machine isolated.



# Various

Overspeed governor with toothed belt.

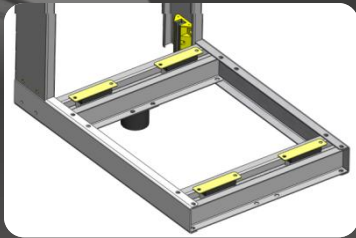
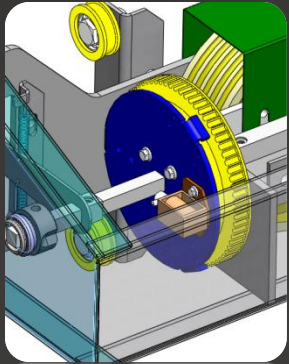
Overload electronic cells.

Inverter Fuji Frenic.

Controller in landing door frame (any floor position)

Optional:

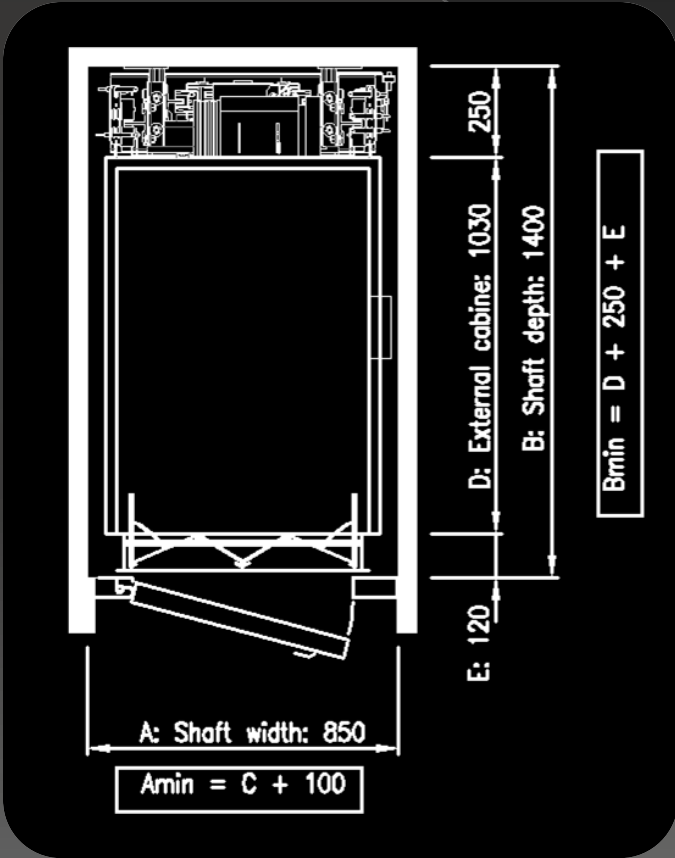
Devices fulfill requirements of EN81-21



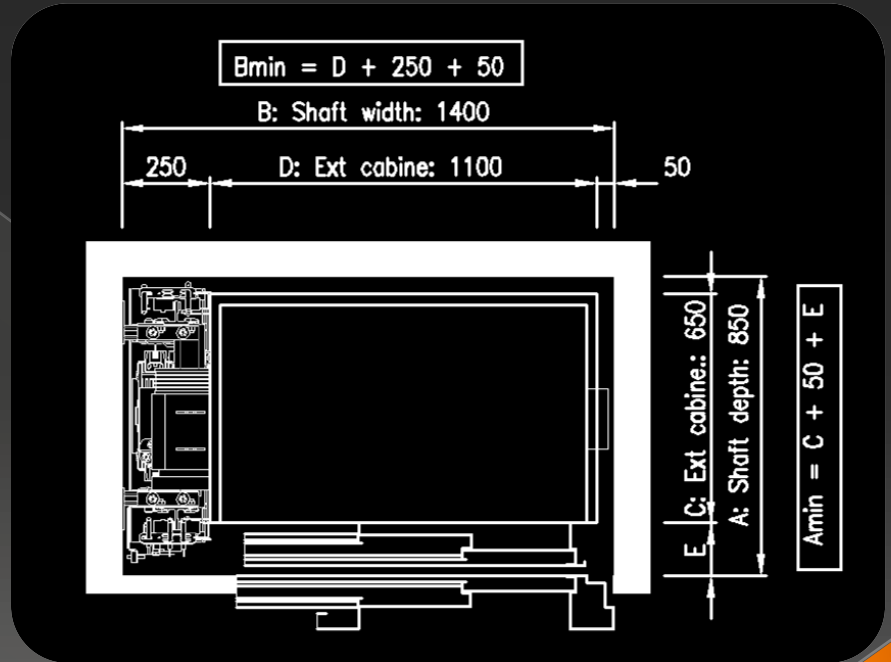
# Layouts

Minimum shaft width 850mm

## Back



## Side



# Cabines

Combination with  
ACUARELA series



*Moving forward & moving on*

[www.felesa.com](http://www.felesa.com)

