

New Generation Lift Buffers of AUTAN® HE

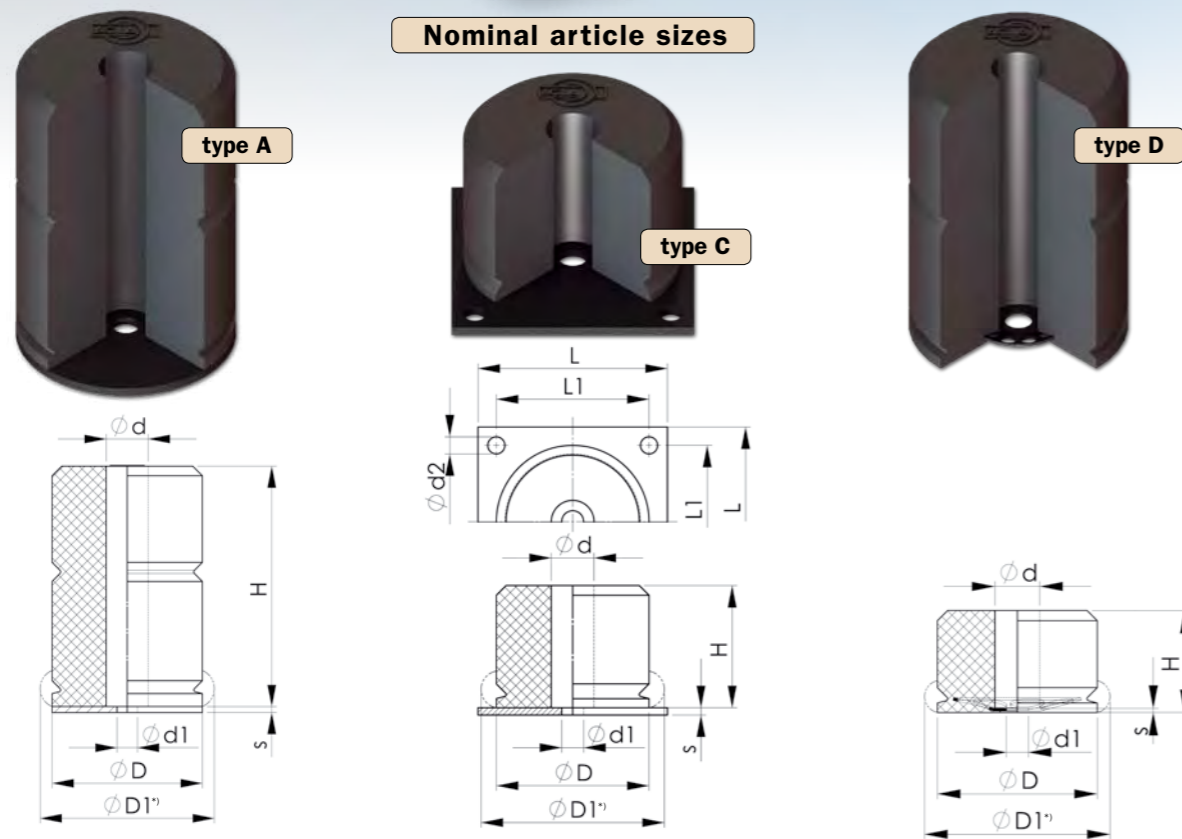
New: DIN EN 81-20/50

Test Type Certificate available

Legal requirement
as per 09/2017



Nominal article sizes



Lift Buffers of AUTAN® HE certified according DIN EN 81-20/50 and Lifts Directive 95/16/EC and its successors

The state-of-the-art security component

ACLA-Werke grants planning reliability now for EN 81-20/50 related future elevator constructions.

In the attached table you will find an overview of load - and application ranges.

Lift buffers type B will not be supported in the AUTAN HE portfolio.



Type Test Examination Certificates and Declarations of Conformity for buffers are available on demand.

Product range and application range for Lift Buffers of AUTAN® HE as per DIN EN 81-20/50 and DIN EN 81/1-2 for nominal speed up to 1,0 m/s

Product range			Admissible range in [kg] for V = 1,0 m/s				sizes								
size D x H	type	art. no.	as per EN 81-20/50		as per EN 81/1-2 *)		D	d	d1	H	s	L	L1	d2	
			m _{min}	m _{max}	m _{min}	m _{max}									
80 x 81	A	300 400 A100	230	570	230	1400	80	35	17	81	5	100	80	11	
	C	300 400 A300							17						6
	D	300 400 A400							18						2
101 x 80	A	300 401 A100	400	950	400	2600	101	35	17	80	5	130	100	14	
	C	300 401 A300							17						6
	D	300 401 A400							18						2
128 x 82	A	300 402 A100	650	1600	650	4300	128	35	17	82	5	155	125	14	
	C	300 402 A300							17						6
	D	300 402 A400							18						2
141 x 80 **)	A	300 419 A100	820	2000	820	5500	141	35	17	80	6	180	140	18	
	C	300 419 A300							17						6
	D	300 419 A400							18						2
167 x 81	A	300 403 A100	1200	2600	1200	6900	167	35	17	81	5	205	165	18	
	C	300 403 A300							17						6
	D	300 403 A400							18						2
223 x 83	A	300 404 A100	2300	4200	2300	9600	223	35	17	83	5	260	220	21	
	C	300 404 A300							17						6
	D	300 404 A400							18						2
81 x 120	A	300 335 A100	230	900	230	900	81	35	17	120	5	100	80	11	
	C	300 335 A300							17						6
	D	300 335 A400							18						2
101 x 163	A	300 405 A100	300	1600	300	4200	101	35	17	163	5	130	100	14	
	C	300 405 A300							17						6
	D	300 405 A400							18						2
129 x 103	A	300 178 A100	600	2100	600	5600	129	35	17	103	5	155	125	14	
	C	300 178 A300							17						6
	D	300 178 A400							18						2
142 x 101	A	300 183 A100	700	2200	700	6800	142	35	17	101	6	180	140	18	
	C	300 183 A300							17						6
	D	300 183 A400							18						2

*) The comparative values for EN-81 1/2 show the load ranges of the identical buffer of AUTAN HE.

**) Preserial values

All above mentioned load ranges are certified by a Notified Body. Certificates will only bear speed (up to) 1,0 m/s.