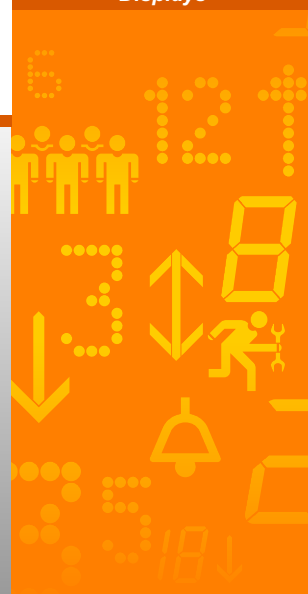




**TFT
Giotto**
Flush Mounted
Display

Display grafico multicode ad alta risoluzione
High resolution graphic position indicator with multicode interfaces
Afficheur graphique haute résolution avec interfaces multicode
graphische Anzeige mit verschiedenen Ansteuercodes und hohe Auflösung
Display gráfico multicode de alta resolución

Display
Position Indicators
Afficheurs
Standanzeigen
Displays



4,3" 480x272 px
 Anche versione MULTIFUNZIONE
 MULTI-FUNCTION version also



99 X 58 mm
 (schermo / screen) **81-71**

5,6" 640x480 px



116 X 88 mm
 (schermo / screen) **81-72**

7" 800x480 px



155 X 94 mm
 (schermo / screen) **81-71** **81-72**

- ✓ Associazione di immagini e audio ad ogni piano • Images and audio can be associated to each floor • Association d'images et son à chaque étage • Zuordnung von Bildern und Audio-Dateien für jede Etage • Asociación de imágenes y audio en todos los pisos
- ✓ Pilotaggio multicode attraverso interfacce dedicate parallele, seriali, CAN BUS • Multicode piloting through 3 dedicated interfaces (Multiparallel, serial or CAN BUS) • Différents protocoles de communication envisageables : parallèle, série, CAN BUS • als Schnittstelle ist binär, gray, 1 aus n, serielle oder CAN BUS verfügbar • Pilotaje multicode a través de interfaces dedicadas paralelo, serie, CAN BUS
- ✓ Completamente configurabile con software "Mosaic" • Fully customizable with "Mosaic" PC software • Entièrement configurable avec le logiciel "Mosaic" • Hintergrund mittels "Mosaic" Software konfigurierbar • Totalmente configurable con el software "Mosaic"
- ✓ Disponibile anche in versione antivandalo EN 81-71 Classe 2 (4,3" e 7") • 4,3" and 7" versions also available in vandal resistant version (EN 81-71 Class 2) • Disponible aussi en version antivandale EN 81-71 Classe 2 (4,3" e 7") • 4,3" & 7" als zertifizierte vandalsichere Version (EN81-71 Klasse 2) verfügbar • También disponible en versión antivandálico EN 81-71 Classe 2 (4,3" e 7")

D_TFT-Giotto_170410_eu

DMG SpA
 Via delle Monachelle, 84/C
 00071 Pomezia
 Roma • Italia
 Tel. +39 06930251
 Fax +39 0693025240
 info@dmg.it
 www.dmg.it

GIOTTO

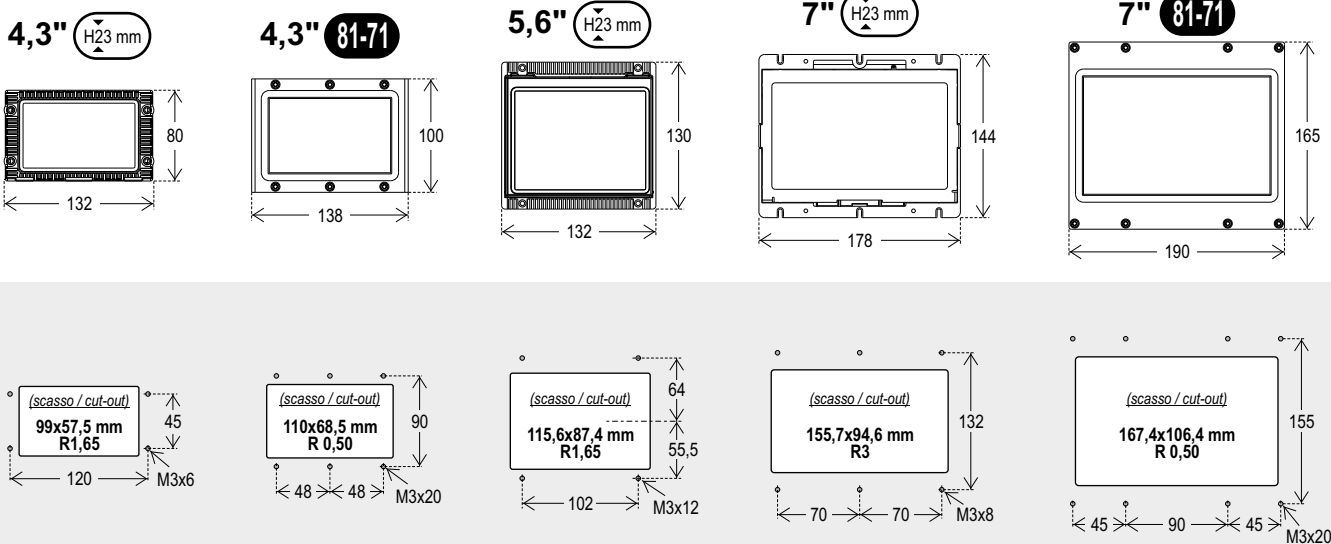
TFT high-resolution graphic display



D_TFT-Giotto_170410_eu



DIMENSIONI E SCASSI • DIMENSIONS AND CUT-OUTS



CARATTERISTICHE • FEATURES

Alimentazione / Power supply Alimentation / Speisung / Alimentación

12+24V DC ±10%

Temperatura di esercizio / Operating temperature

Température de fonctionnement / betriebswarm / Temperatura de funcionamiento

-10°C + +50°C (4,3"/5,6") • -20°C + +50°C (7")

Assorbimento / Absorption / Stromaufnahme / Absorción

	4,3"	5,6"	7"
24V	66mA	150mA	134mA
12V	80mA	242mA	210mA
<i>Luce antipanico Anti-panic light</i>			

FUNZIONI • FUNCTIONS

- ✓ Ingressi segnali EN 81-70
EN 81-70 signal inputs

	S1	S2	S3	S4
<i>Cabina / Car</i>				/ 81-72
<i>Piani / Floors</i>				

- ✓ Risparmio energetico / Energy saving
- ✓ Ingresso USB / USB input
- ✓ Frecche di prossima direzione / Next direction arrows

- ✓ Sintesi vocale / Voice annunciator
20 messaggi di piano + 2 ▼▲ + 5 di servizio / 20 floor messages + 2 ▼▲ + 5 service
20 énoncés de niveau + 2 ▼▲ + 5 de service / 20 Etagen + 2 ▼▲ + 5 Dienst / 20 piso + 2 ▼▲ + 5 de servicio

CODICI • PART NUMBERS

	SERIAL inputs	INGRESSI / INPUTS			GONG	Sintesi vocale Voice annunciator	Spessori piastra / Plate thickness Epaisseur plastron / Frontplatten Stärke / Espesor placa Con perni saldati / With studs Par goujons / Mit Gewindebolzen Con pernos soldados					KIT di montaggio per componente sciolto Mounting KIT for spare part only
		MULTIPARALLEL inputs	CAN BUS inputs				0,7 mm	1 mm	1,5 mm	2 mm	3 mm	
4,3"	81-71 DT4RSS00M.DG	DT4RSP00M.DG	DT4RS100M.DG	DT4RSC00M.DG	●		✓	✓	✓	✓	✓	
	81-71 DT4RVS00M.DG	DT4RVP00M.DG	DT4RV100M.DG	DT4RVC00M.DG	●					✓	✓	RDT4S0VP
	81-71 DT4RSS00M.DS	DT4RSP00M.DS	DT4RS100M.DS	DT4RSC00M.DS	●		✓	✓	✓	✓	✓	
5,6"	81-71 DT4RVS00M.DS	DT4RVP00M.DS	DT4RV100M.DS	DT4RVC00M.DS	●					✓	✓	RDT4S0VP
	81-72 DT5RSS00M.DS	DT5RSP00M.DS	DT5RS100M.DS	DT5RSC00M.DS	●		✓	✓	✓	✓	✓	
	81-72 DT5FSS00M.DS	DT5FSP00M.DS	DT5FS100M.DS	DT5FSC00M.DS	●		✓	✓	✓	✓	✓	
7"	DT7RSS00M.DS	DT7RSP00M.DS	DT7RS100M.DS	DT7RSC00M.DS	●				✓	✓	✓	
	81-71 DT7RVS00M.DS	DT7RVP00M.DS	DT7RV100M.DS	DT7RVC00M.DS	●					✓	✓	RDT7S0VP
	81-72 DT7FSS00M.DS	DT7FSP00M.DS	DT7FS100M.DS	DT7FSC00M.DS	●				✓	✓	✓	